

xFUME™ ROBO

Installation Instructions

for ROBO WH Over-Arm Torches

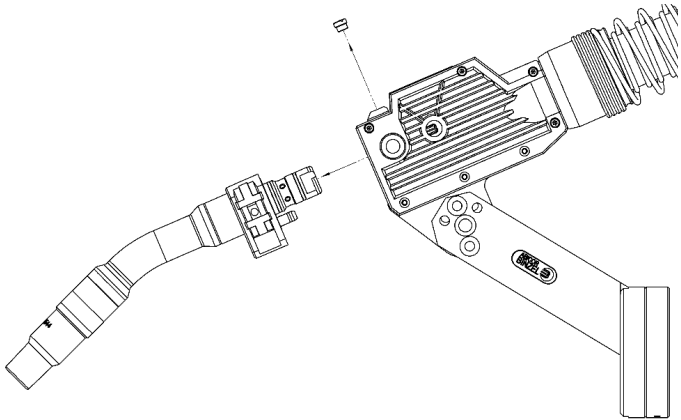
INT.9043



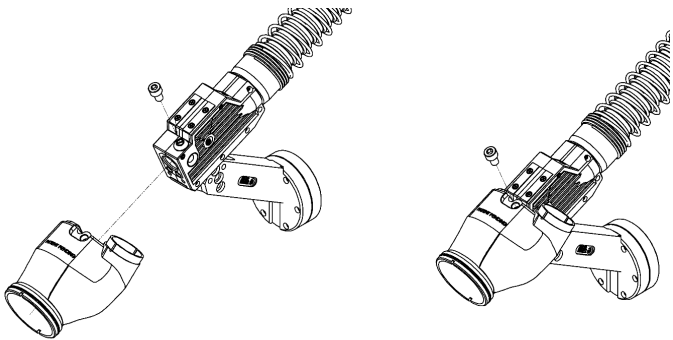
Before Installation Begins

Before installing the xFume Robo-WH over-arm kit:

- Remove the swanneck and the 8-mm set-screw from the metal screw-boss on top of the WH block.



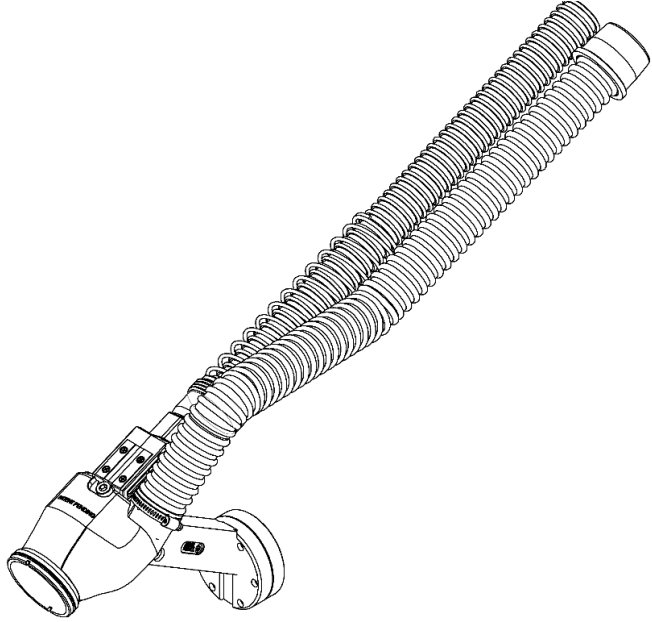
- Slide the xFume Robo-WH housing over the WH block. The fitment will be snug and will lock into place when fully seated. Gently thread the provided 8-mm bolt into the screw boss that the large set-screw was removed from; the boss will act as a torque-limiter if over-tightened.



Note: While attempting to remove the xFume Robo WH kit from the robot, the screw boss may slip making it difficult to remove the 8-mm bolt. If this happens, simply place the end of a straight-blade screwdriver between the edge of the boss and the loft on the WH block. Rotate the bolt counter-clockwise until the flat-edge of the boss lines up with the screwdriver. Use some pressure on the screwdriver against the boss to prevent it from rotating while backing out the bolt.

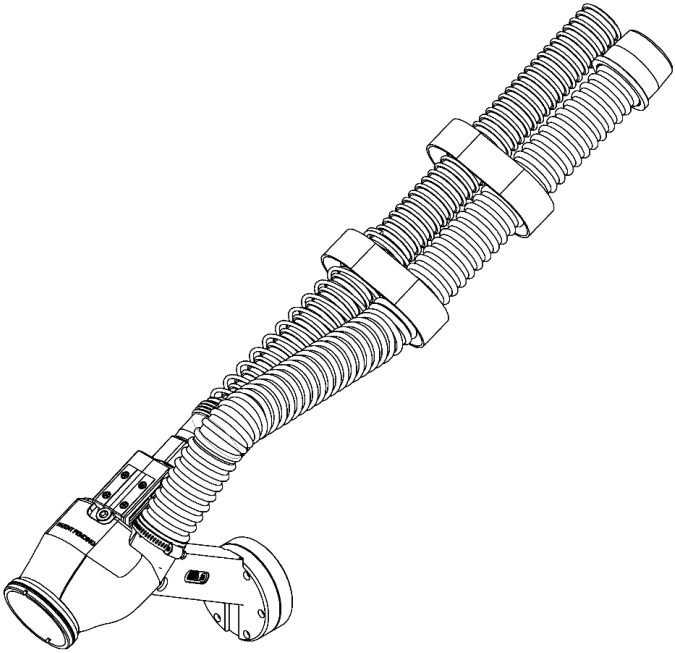
1 Install Suction Hose

- Install 1.5" suction hose by inserting the coupler into the vent tube. Gently snug the worm-drive clamp to secure hose coupler in place.



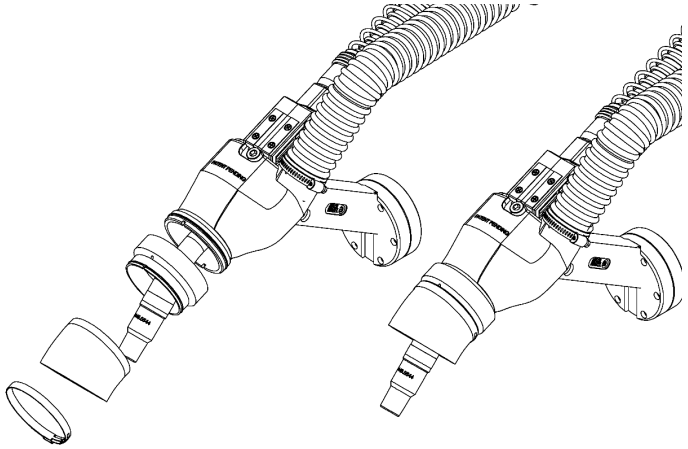
2 Install Hose Straps

- There are two 8-in heavy duty straps included in the kit. These straps can be used to secure the suction hose to the cable assembly, robot arm, or peripheral bracketry. Special care should be taken to ensure the hose is allowed to move through the entire range-of-motion of the robot without excessive tension or snagging.



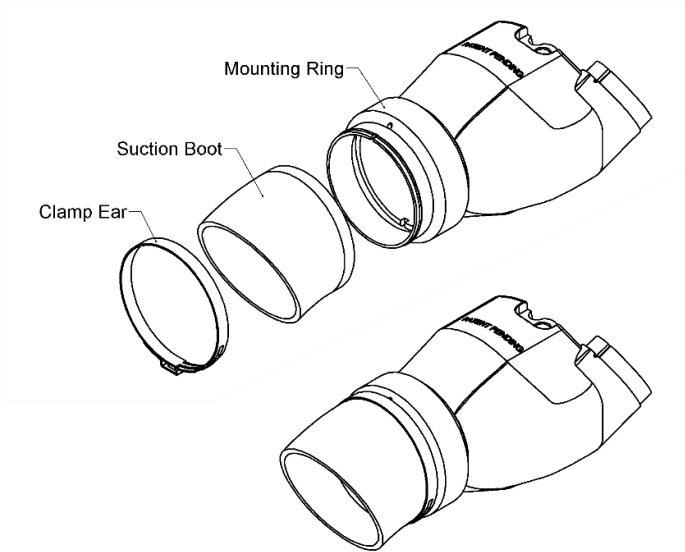
3 Install/Align Suction Boot

- Lastly, aligning the curvature of the suction boot with the curvature of the swanneck, snap the suction boot ring assembly onto the xFume Robo-WH housing. Gently rotate the boot mount back-and-forth on the housing until it locks into position.



4 Install/Align Suction Boot

- When replacing the suction boot, or installing a suction boot that was purchased separately, assemble the suction boot, clamp, and mounting ring as follows:
- Orient the suction boot so that the seam line on the top (outer) curvature is in line with the set-screw/rotational positioner on the mounting ring. It is recommended to do this with the xFUME Robo housing already installed on the torch to ensure proper orientation/positioning of the suction boot. Align the clamp ear with the bottom (inner) seam line on the suction boot. Before clamping, ensure the boot is fully seated on the mounting ring and that it is more-or-less concentric with the swanneck/nozzle.



NOTE: For optimal fume extraction performance, the xFUME Robo should be paired with a vacuum capable of pulling the following minimum static vacuum pressures measured at the end of the 5' suction hose: 22" w.c. for solid wires, 40" w.c. for cored wires. Performance may vary depending on robot position to the arc.

Danger

• Read and follow the manufacturer's instructions, employer's safety practices and Material Safety Data Sheets (MSDSs).

• Only qualified personnel should install, use or service this material and/or equipment.



ELECTRIC SHOCK can kill.

- Always wear dry insulating gloves.
- Do not touch live electrical parts.
- Always disconnect power source before hooking up or changing electrodes, nozzles and other parts.



WELDING SPARKS can cause fire or explosion.

- Do not weld near flammable material.
- Do not weld on closed containers.
- Remove combustibles from the work area and/or provide a fire watch.
- Avoid oily or greasy clothing as a spark may ignite them.



FUMES AND GASES can be hazardous to your health.

- Keep your head out of the fumes.
- Use enough ventilation or exhaust at the arc to keep fumes and gases from your breathing zone, and the general area.
- Fumes from welding and cutting can deplete air quality, causing injury or death. Always wear an air supplied respirator in confined areas or if breathing air is not safe.



ARC RAYS can injure eyes and burn skin.

- Always wear correct eye, ear and body protection.
- Always wear a welding helmet with the proper grade filter lens. Protect yourself and others from spatter arc flash rays by using protective screens, barriers and welding curtains.
- Always wear protective gloves and clothing to cover exposed skin. This will aid in the prevention of arc and spatter burns.



LOUD NOISE can damage hearing.

- Always wear protective hearing devices to ensure protection when noise levels exceed OSHA standards.

Do Not Remove This Label.

ID 123-4567C1

ABICOR BINZEL USA, Inc.

650 Medimmune Court, Suite 110, Frederick, MD 21703
Tel: (301)846-4196 Fax: (301)846-4497 www.binzel-abicor.com

Read American National Standard Z49.1, "Safety in Welding, Cutting and Allied Processes" available from the American Welding Society, 8669 NW 36 St #130, Miami, FL 33166; OSHA Safety and Health Standards, available from U.S. Government Printing Office, Washington, DC 20402



BINZEL, S.A. DE C.V.
Municipio de Pabellon de Arteaga 102
Valle de Aguascalientes, 20358
San Francisco de los Romo, Ags.
MEXICO
Tel: +52(499) 9730133
Fax: +52(449) 9731388
Email: www.binzel.com.mx

ABICOR BINZEL USA, Inc.
650 Medimmune Ct., Suite 110
Frederick, MD 21703-8619
Tel: 301.846.4196
Fax: 301.846.4497
Email: customerservice@abicorusa.com

www.binzel-abicor.com